

Intelligent Series Biological Safety Cabinet

HR900-IIA2/HR1200-IIA2/HR1500-IIA2



Main Applications

Professional partial air purification equipment, it is suitable for cell biology, microbiology, biomedicine, biosafety and other related laboratories. It provides the most basic protection and isolation equipment for biosafety.



Drop-down front window

- Remove the hand rest, drop down the front window to clean the upper edge off the glass conveniently, without leaving any blind spots.



- V-shaped air inlet**

The V-shaped air inlet can prevent the samples or arms of the operator from blocking the air flow

The handle is used for lifting the workbench and cleaning the liquid collected in the tank conveniently



- Patented Technology: UV Lamp One-touch application**

The UV Lamp can be preset to automate on/off sterilization and remember the user's settings and habits, it is set by pressing one button, reducing down time for user.



- Patented Technology: Waterproof Receptacle Timing**

The receptacle can be set by using a microcomputer to supply power at a specified time, to satisfy the user's demands for timing of experiment.



- Universal Casters with Built-in Threaded Supporting Legs**

The under-frame is designed with universal casters for moving the cabinet conveniently, and the built-in threaded supporting legs can prevent the propagation of bacteria.



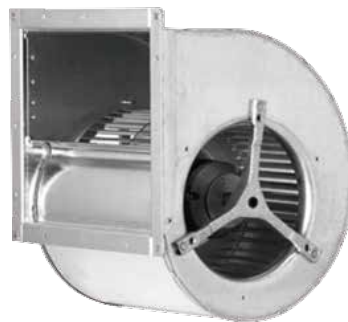
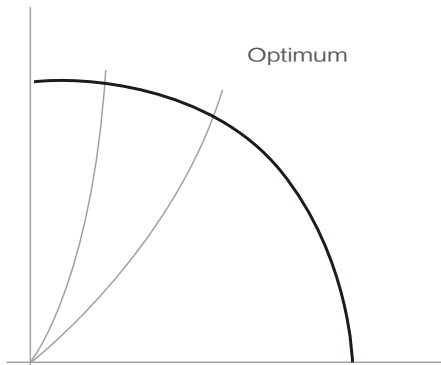
Key Components

- Ultra-Low Penetration Air System (ULPA) Filter (U15)**

- The ULPA filter is made from moisture-proof and flame retardant glass with a typical efficiency up to 99.9995% when filtering 0.12µm solid particles, fully meeting the cleanliness requirements of USA FED STD 209E Grade 1 (or ISO 14644-1 Grade 3).
- The ULPA filter can supply vertical air flow to the workbench, preventing the samples from being contaminated.
- The filter can be scanned from point by point to ensure high performance, reliability and safety.

- **Maintenance-free fan system**

- Forward centrifugal fan with air inflow from both sides of the motor, reducing noise to a very low level
- Self-cooling, low energy consumption enhances reliability
- Optimal balance between air supply and energy consumption
- Stable air flow for the safety cabinet by controlling the precise voltage of the fan



Safe

- **Abnormal operation condition alarm**

Audible and visual alarms in the form of voice or text will be present when the air turbulence level exceeds 20%, and door height (high or low) or work area temperature exceeds limits.

- **Patented technology: UV lamp end-of-life reminder**

The microcomputer will track the usage time of the UV lamp, and will warn the user to replace the UV lamp when its remaining life is less than 10%.

- **Patented technology: filter end-of-life reminder**

The pressure transducer monitors the resistance variations to determine the remaining life of the filter, and will warn the user when the remaining life is below 10%.

- **Interlocking feature to ensure high safety and reliability**

Patented technology: UV lamp interlocking control
UV lamp, front window, fan and interior light are interlocked to prevent any leakage of UV rays or micro organisms

* Type B2 safety cabinet with internal & external fans interlocked

The external fan will be activated first when the safety cabinet is powered on, and the internal fan will be deactivated first when the safety cabinet is powered off. When the air inflow is lower than the limit, the internal fan will be deactivated, and the external fan will continue working, accompanied with audible and visual alarms. If the internal fan is deactivated while in use, the external fan will continue working, accompanied with audible and visual alarms.

Professional

- **Digital display of operating parameters**

The LCD screen displays in real-time operating parameters such as digital display of down flow, inflow, exhaust volume, working area temperature, remaining life of the filter, UV lamp plus negative pressure and positive pressure.



- **Key component failure alarm**

Audible and visual alarms will be given in case of any failures in the airflow velocity sensor, pressure sensor, temperature sensor, microcomputer board or air flow valve, indicating the position of failure in voice or text.



Biological Safety Cabinet: Intelligent Series, Type A2

Product Configuration



Specifications



Model		HR900-IIA2	HR1200-IIA2	HR1500-IIA2
Working Voltage&Frequency(V/Hz)		220V 50Hz	220V 50Hz	220V 50Hz
Power(VA)		1400	1500	1600
Power of Blower(W)		AC-L=330W,M=465W,H=735W	AC-L=330W,M=465W,H=735W	AC 650W
Airflow Circulation		70% Downflow,30% Exhaust	70% Downflow,30% Exhaust	70% Downflow,30% Exhaust
Main Filter Typical Efficiency		ULPA ,U15,99.9995%@0.12um	ULPA ,U15,99.9995%@0.12um	ULPA ,U15,99.9995%@0.12um
Exhaust Filter Typical Efficiency		ULPA,U15,99.9995%@0.12um	HEPA ,H14,99.995%@0.3um	HEPA ,H14,99.995%@0.3um
Filter's Brand		AAF	AAF	AAF
Downflow Velocity(m/s)		0.33	0.34	0.31
Inflow Velocity(m/s)		0.55	0.55	0.55
Fluorescent Lamp Intensity(Lux)		≥900	≥900	≥900
Net/Gross Weight(approx)	kg	270/293	320/339	360/393
	lbs	595.3/646	705.5/747.4	793.7/866.4
Interior Dimensions(W*D*H)	mm	920*620*650	1220*620*650	1520*620*650
	in	36.2*24.4*25.6	48.0*24.4*25.6	59.9*24.4*25.6
Exterior Dimensions(W*D*H)	mm	1080*845*2160	1380*845*2160	1680*845*2160
	in	42.5*33.3*85.0	54.3*33.3*85.0	66.1*33.3*85.0
Packing Dimensions(W*D*H)	mm	1145*920*1690	1470*920*1690	1755*920*1690
	in	45.1*36.2*66.5	57.9*36.2*66.5	69.1*36.2*66.5
Supporter		680-900mm adjustable height	680-900mm adjustable height	680-900mm adjustable height
Container load (20'/40'/40'H)		12/24/24	8/16/16	6/12/12
Alarm		Sound and Flash	Sound and Flash	Sound and Flash
Certificate		CFDA,CE,EN12469	CFDA,CE,EN12469	CFDA,CE,EN12469

Optional components



Valve port, yellow, for fuel gas



Valve port, blue, for compressed air



Valve port, grey, for vacuum



Valve port, green, for water



1.5mm thickened workbench and liner



316 stainless steel workbench and liner



VHP sterilization kit



Type A2 BSC exhaust hood



Activated carbon kit



Height-adjustable support



Europe, UK and USA standard power supply sockets



Europe, UK and USA standard power supply plugs



IR sterilizer

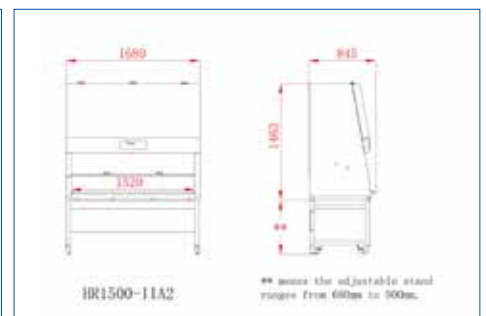
Product dimension



HR900-IIA2



HR1200-IIA2



HR1500-IIA2

Qingdao Haier Biomedical Co.,Ltd.

Distributed by:
www.eirdata.ie
sales@eirdata.ie
 Tel: 021 483 4330

Eirdata



Note: If a slight difference occurs between pictures and actual products, please refer to actual products. Our company reserves the right of final interpretation of this brochure, please contact us for any further information as required.